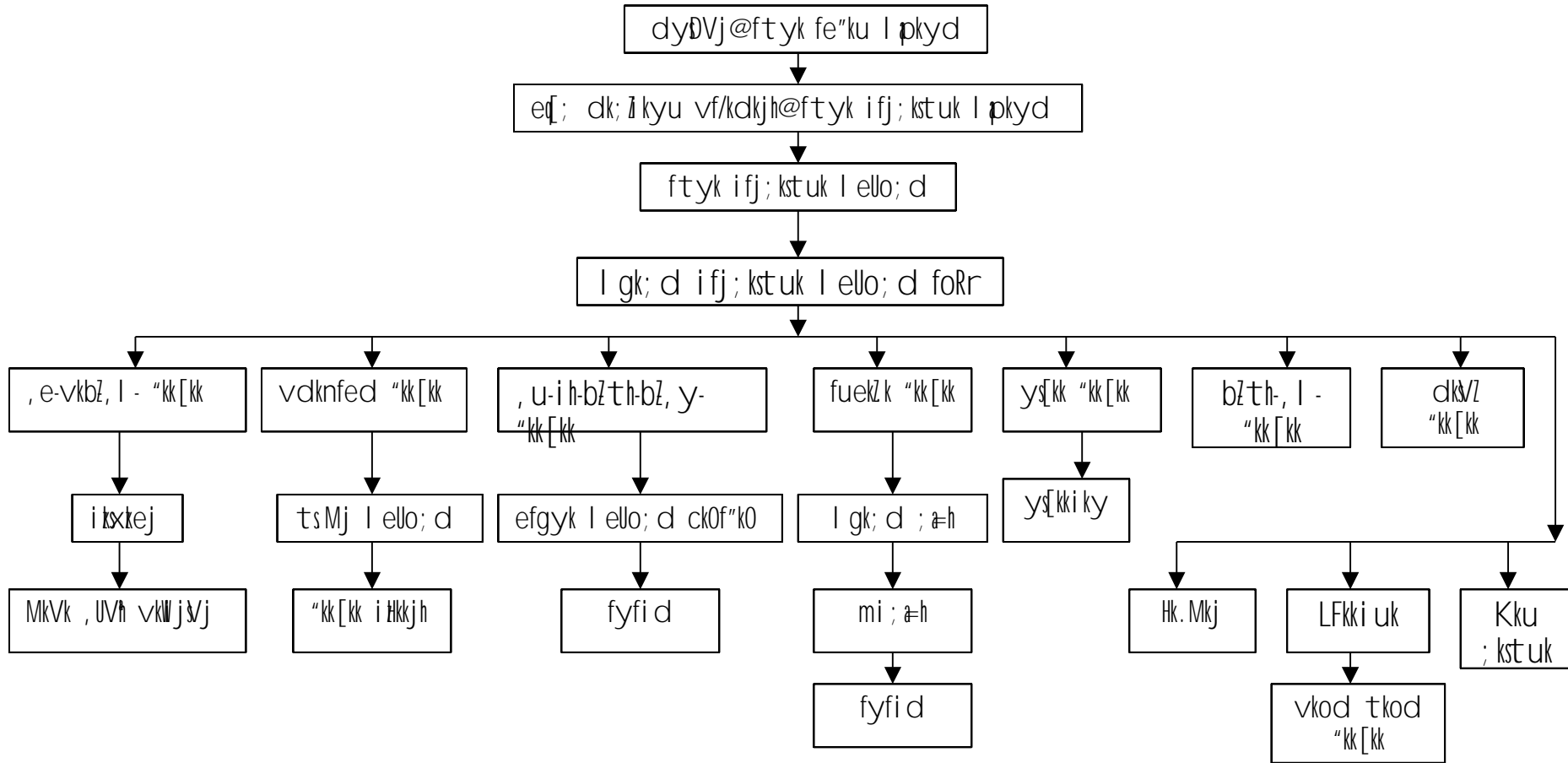


I puk ds vf/kdkj 2005 I s I cf/kr 17 fclnq/ka dh tkudkj h

fclnq dekd&01

ftyk f'kk dñj ftyk ej suk dk I j pukRed <kpk



fclnq d& 1

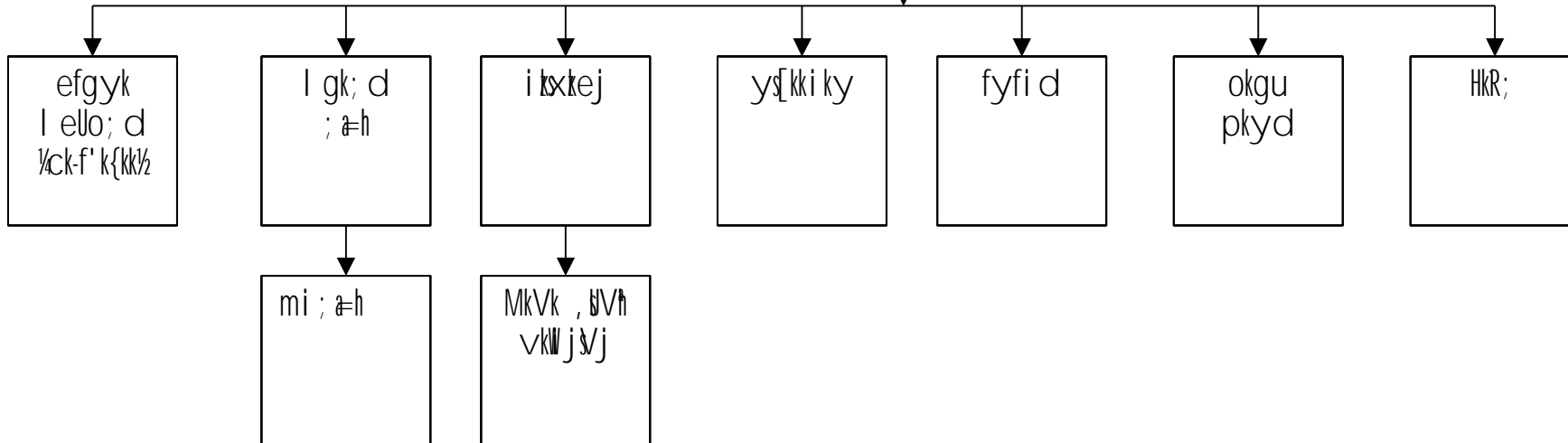
dk; ky; dk l s/vi

dyDVj i nsu ftyk fe'ku l pkyd

ed; dk; i kyv vf/kdkjh i nsu
ftyk ifj; kstuk l pkyd

ftyk ifj; kstuk l ello; d

l gk; d ifj; kstuk l ello; d foRr½



fclnq dæd& 1ch-

dk; kÿ; dh iR; d bdkbz ds dk; Z , oa nkf; Ro

dz	'kk[kk dk uke	dk; Z , oa nkf; Ro
1	2	3
1	LFkki uk 'kk[kk	fu; qDr; k f'kdk; r] i kFkfed l sek/; fed 'kkyk mlu; u] l puk dk vf/kdkj] fl Vhtu pkVj] tuf'kdk; r i dksB] vodk'k] fo/kkul Hkk l ækh tkudkfj; ka dk; Z funz kkuq kj l e; l hek ea l EiUu djuk
2	fuekZ k dk; Z 'kk[kk	i kFkfed]ek/; fed] f'k{kk xjã/h 'kkyk Hkou fuekZ k vfrfjDr d{k fuekZ k] fdfpu fuekZ k] 'kkykvka ea gðMiEi [kuu dk; Z dh Lohdfr , oa dk; kð dks l e; l hek ea i wkZ djuk
3	bZth-, l - 'kk[kk	x#ftvka dh fu; qDr djuk] if'k{k.k djuk] oru@dUVst d h tkjh djuk] bZth-, l - l s i kFkfed 'kkyk mlu; u] f'kdk; r , oa fo/kkul Hkk l ækh dk; Z l e; l hek ea l EiUu djukA
4	vdknfed 'kk[kk	f'k{kk dh xqkoRrk gsrq f'k{kdk ds if'k{k.k dh 0; oLFkk] ekWuhVfjæ] ijh{kk] 'kksk] fo'ySk.k ikyd f'k{kdk l æk ds puko , oa if'k{k.k f'kdk; r]xksdy xte vkfn vdknfed l ækh l eLr dk; Z l e; l hek ea l EiUu djukA
5	, u-ih-bZth-bZ, y-	ckfydk ukeadu] 'kkyk l s ckgj ckyd ckfydkvka dks vkokl h; , oa xj vkokl h; fczt dkd l iðs k fnykdj eq; /kkjk ea tkMtu] ekWuy dyLVj 'kkyk] dsth-ch-0gh- du; k Nk=kokl] ea l pkyu gsrq LVkQ dh fu; qDr , oa ekWuhVfjæ] i qrdky;] ekcykbt s ku] f'kdk; r] fo/kkul Hkk l ækh dk; kð dks l e; l hek ea l EiUu djukA
6	ys[kk 'kk[kk	Lohdfr vuq kj jkf'k tkjh djuk] , oa ys[kk l ækh l eLr vfHkys[k l ækfjr djuk] ekf l d 0; ; i=d r s kj dj l e; l hek jkT; f'k{kk dlnz dks Hkstuk
7	, e-vkbZ, l -	gðLVkVZ tuf'k{kk dlnz p; u dju l kexh dz dj LFkkfir dj l pkyu djuk] chek djuk] dEl; wj f'k{kdk dk if'k{k.k nsuk] vkbZi h-, e-, l - , oa Mkb l dh tkudkjH MKVv dEl; wj kbt dj Hkks ky Hkstuk] okf"kd dk; Z kstuk dk fuekZ k djuk] 'kk[kk gsrq vko'; d mi dj .k dz djuk j [kj [kko djuk 8
8	Kku ; kstuk	'kkl - bZ i qrdky; gsrq fu/kkfjr l kexh dz dj i qrdky; ea LFkkfir djuk]
9	dkS/Z 'kk[kk	i dj .kka l s l æf/kr fjV fi Vh'ku ikr djuk] l e; l hek ea tcko iLr djuk eku- U; k; ky; ds vkn s k dk ikyu djukA
10	i qrd forj .k 'kk[kk	i qrdka dh ekæ Hkstuk] Hk. Mkj .k , oa forj .k dh 0; oLFkk djukA
11	Hk. Mkj 'kk[kk	l keU; &l kexh dz djuk LFkkfir djuk fjdkMZ l ækfjr djuk
12	vkodtkod 'kk[kk	Mkd ikr djuk vkod djuk] i=ka dks tkod djuk] i kLV djuk] LVKEi jftLVj , oa vU; vfHkys[k l ækfjr djukA

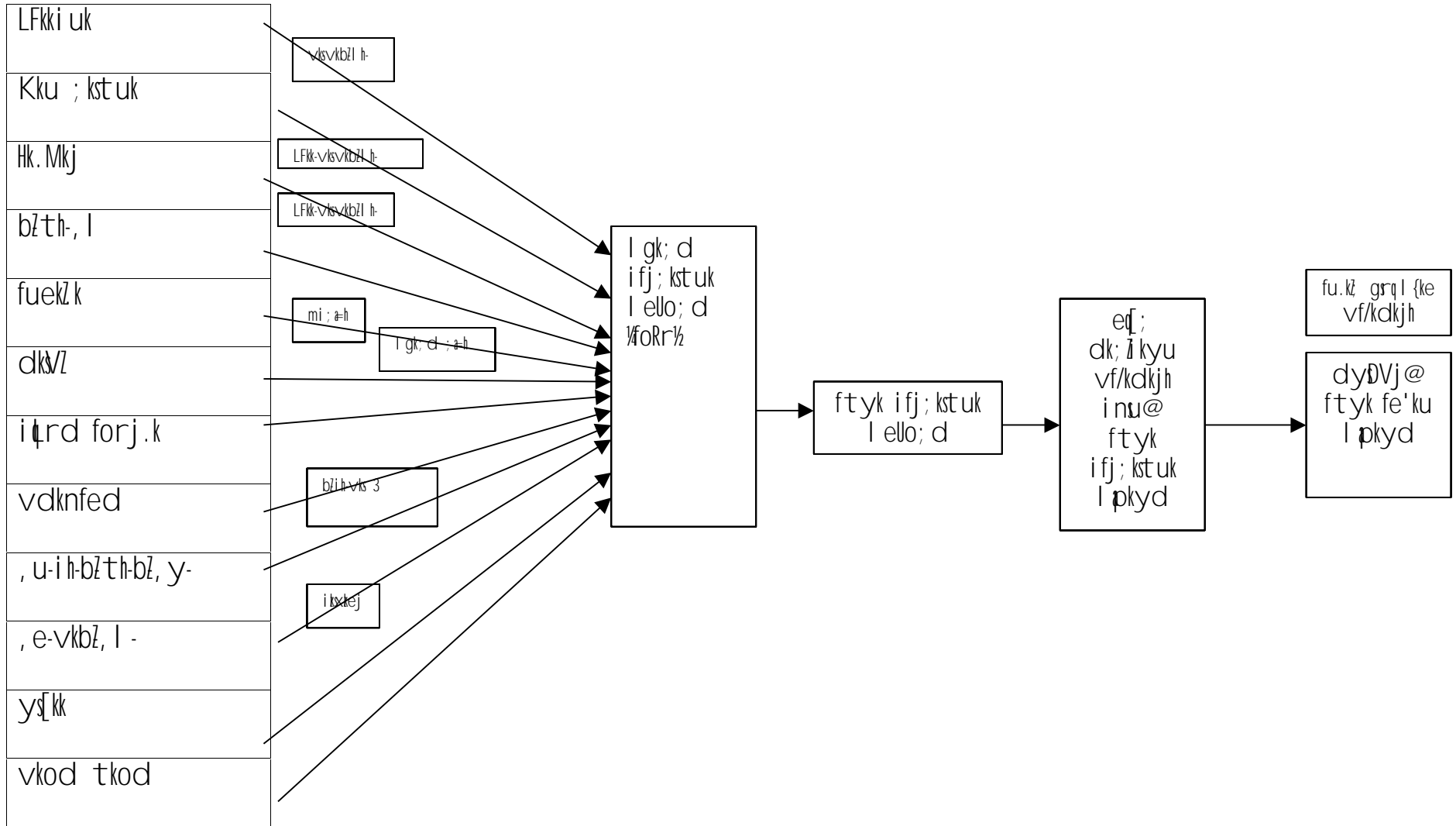
fclnq dæka& 2

dk; kzy; ds depkj; ka ds e/; dk; foHkk tu dk fooj.k

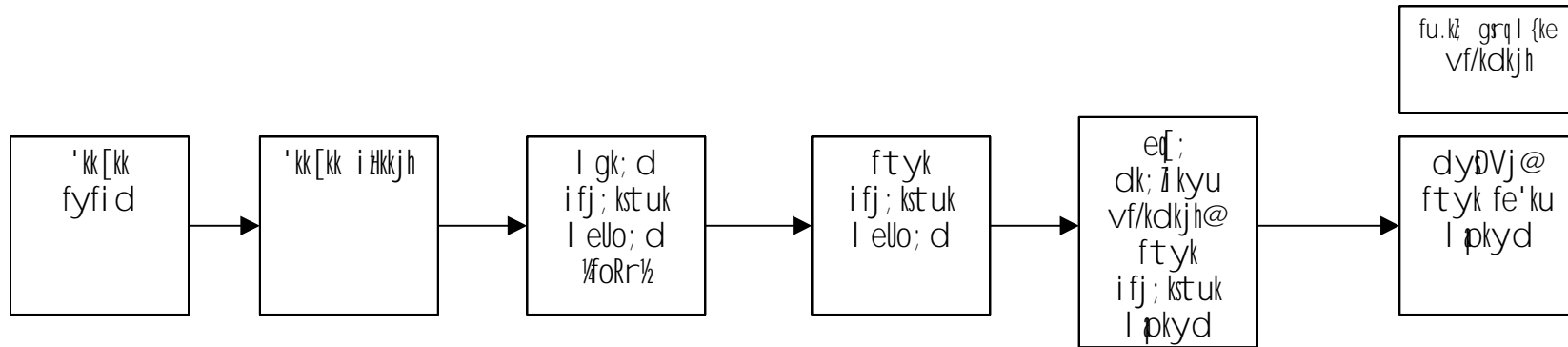
dz	uke vf/kdkjh@depkj	i nuke	i klr oru o l fo/kk, a	drD;
1	Jh v'kkd depkj f=i kBh	Mh-i h-l h-	6500&10500	dk; kzy; dh iz kkl fud 0; oLFkk
2	Jh , l -, l -HknkSj; k	bzi h-vks3	6500&10500	vdknfed , oa , u-i h-bZt h-bZ, y- i Hkkjh
3	Jh , -ds dyJ\$B	mi ; a-h	6500&10500	fuekZ k dk; kS dh ekUuVfjæ
4	Jh dsi h- tkVo	ys[kki ky	3050&4590	ys[kk l ædkh l eLr dk; Z
5	Jh ds, l - rkej	l gk-xM&3	4000&6000	LFkki uk vksvkbZl h-] okgu ejEer dk; Z bZt h-, l -, o- fuekZ k 'kk[kk bZt h, l l si h-, l - mUu; u
6	Jh , l -vkj-c?ksy	l gk-f' k{kd	5500&9000	vdknfed , oa , u-i h-bZt h- bZ, y- 'kk[kkvka dk fyfi fd; dk; Z
7	Jh jktiky fl g ; kno	fyfi d	4362-00	LFkki uk] Kku ; kst uk f'kd; r] i h-, l - l s , e- , l - mUu; u] Hk. Mkj & l keU;] vksch-ch] Kku ; kst uk]
8	Jh 'ksylnz nqs	fyfi d	4362-00	dkS/Z 'kk[kk] duVst d h] i rd forj .k 'kk[kk
9	Jh inhi frokjh	MkVk , dVh vkw jvj	2516-00	, e-vkbZ, l - ea l eLr MkVk dk; Z , e-vkbZ, l - Hk. Mkj] chek vkfn dk; Z
10	Jh jkeohjfl g ; kno	okgu pkyd	4362-00	okgu l pkyu
11	Jherh dhfrZ oekZ	HkR;	2308-00	bZt h-, l - , oa fuekZ k 'kk[kk l gkf; dk ds #i ea dk; Z
12	Jherh uhye pkyu	HkR;	2308-00	vkod tkod 'kk[kk dk l eLr dk; Z
13	Jh #Lre fl g xqtj	HkR;	2308-00	okgu l pkyu
14	Jherh foVh ckbZ	HkR;		in vu#i dk; Z
15	erhe [kku	HkR;	3647-00	in vu#i dk; Z
16	Jh t'kolr fl g	HkR;	3647-00	in vu#i dk; Z
17	Jh veryky iztki fr	HkR;	3647-00	in vu#i dk; Z
18	Jh xkj h 'kdj 'kekZ	pkdHnkj	3647-00	in vu#i dk; Z
19	Jh fot;	Lohi j va kakyhu	dyDVj nj dk vk/kk	dk; kzy; dh l kQ l QkbZ

fclnq d&3
 dk; l dk puy , oa fu.kz vFkksjV

ufLr; ka dh puy i fdz k , oa fu.k; l grq l {ke vf/kdkjh



Qkby fdz kll0; u dk fu/kkFjr pSuy , oa fu.kz vFkksj Vh



fclnq dæd&4

jkT; f'k{k dlnz Hkks ky }kjk l e; &l e; ij tkjh vkns k o funz kks ds vuq kj l e;
l hek ea xqkoRrk rFkk ek=k l ælkh eki n. M i w k z fd; s t k r s g A

fclnq dæd&5

dk; kzy; ea mi ; ks gkus okys rFkk mi yC/k vf/kfu; e] fu; e] jxny's ku] e] wy dh l uph &

1- e/; in's k fl foy l ok vkpj .k fu; e

2- jkT; f'k{k dlnz Hkks ky dk foRrh; fu; e funf' kdk

3- e/; in's k Hk. Mkj dz fu; e

4- jkT; f'k{k dlnz ds in i frz grq i frfu; qDr@l fonk fu; e

4- f'k{k xkj a/h 'kkyk [kksyu} x# th fu; qDr] , oa 'kkyk l pkyu l ælkh fu; e

5- jkT; f'k{k dlnz }kjk fuekz k dk; kks ds fy; s fu/kkzj r fu; e

6- jkT; f'k{k dlnz }kjk vkokl h;] xj vkokl h; fcz dkd l dLnj ckxkalkh ckfydk fo | ky;

ckfydk Nk=kokl] f'k' kq' k{k dlnz l pkyu grq fu/kkzj r fu; e

7- i kyd f'k{k d l æk ds xBu] i f'k{k k l ælkh fu; e]

8- tuf'k{k vf/kfu; e

fclnq dæd&6

dk; kÿ; ea l ækkfjr fd, tkus okys foFHkUu vfHkys[kka dh l ph rFk mudk oxhbdj.k

dz	vfHkys[k dk uke	l ækkfjr fd; s tkus okys vfHkys[kka dk foøj.k	vfHkys[k dh iæfr	vfHkys[k dh vof/k
1	LFkki uk 'kk[kk	l fo] cp] LVkQ mi fLFkr i at h] vkdfLed vodk'k i at h] oruof) i at h , oa l eLr l æf/kr uflr; ka cBd i at h	l fo] l ækh vfHkys[k	geš kk
2	ys[kk 'kk[kk	dš kcp] ystj] pšd b' ; w i at h] vfxe ink; i at h] vkoð/u i kflr i at h] , oa ys[kk l ækh l eLr vko' ; d uflr; ka	ys[kk l ækh vfHkys[k	geš kk
3	Hk. Mkj	LFkbbz Hk. Mkj i at h] vLFkbbz Hk. Mkj i at h] LVŠ kujh Hk. Mkj i at h] cBd i at h] l kexh dz l ækh fu; e funðk , oa l æf/kr uflr; ka	Hk. Mkj l ækh vfHkys[k	geš kk
4	fuekz k dk; l 'kk[kk	fuekz k dk; l ækh uflr; ka fuekz k l fefr cBd i at h	fuekz k l ækh vfHkys[k	geš kk
5	bžth-, l - 'kk[kk	cBd i at h] fu; qDr l ækh uflr] oru uflr , oa vU; vko' ; d uflr; ka	bžth-, l - l ækh vfHkys[k	geš kk
6	vdknfed 'kk[kk	f'k{k d i f'k{k.k] ekWhVfjæ] i kyd f'k{k d l æk xBu , oa i f'k{k.k] 'kkyk mlU; u dk; bðe¼, l -vkbzi h-¼ i jh{k k xkdyxte] 'kksk , oa uokpkj	vdknfed l ækh vfHkys[k	geš kk
7	, u-i h-bžth-bž , y-	vkokl h;] xš vkokl h;] dsth-ch-ogh] ckfydk Nk=kokl LVkQ fu; qDr l ækh fu; qDr; ka vLFkbbz Hk. Mkj i at h] ekWY dyLVj] i qrdky;] l ækh l eLr uflr; ka	, u-i h-bžth-bž, y- l ækh vfHkys[k	geš kk
8	, e-vkbz, l -	, e-vkbz, l - Hk. Mkj & LFkbbz Hk. Mkj i at h] vLFkbbz Hk. Mkj i at h] LVŠ kujh Hk. Mkj i at h] vkbzi h-, e-, l - o Mkb l gMLVKVZ dEl; wj LFkki uk l pkyu ekWhVfjæ , oa dEl; wj chek l ækh uflr; ka	, e-vkbz, l -] Hk. Mkj l ækh vfHkys[k	geš kk
9	Kku ; kst uk	cBd i at h] LFkbbz Hk. Mkj i at h] vLFkbbz Hk. Mkj i at h] l æf/kr uflr; ka	Hk. Mkj l ækh vfHkys[k	geš kk
10	okgu 'kk[kk	okgu ejEer i at h] okgu ejEer l ækh uflr; ka	okgu l ækh l ækh vfHkys[k	geš kk
11	dk&Z 'kk[kk] i qrd forj.k 'kk[kk	i qrd i kflr i at h] forj.k i at h] i fjogu , oa vU; vko' ; d uflr; ka	dk&Z , oa i qrd forj.k l ækh vfHkys[k	geš kk
12	vkod tkod 'kk[kk	vkod i at h] tkod i at h] Mkd cp] LVkEi i at h] f'kdk; r i at h] fo/kku l Hk i at h] A	vkod tkod l ækh vfHkys[k	geš kk

fclnq dæd&7
tui frfuf/k l nL; ka okyh ijke' kzk=h l fefr; ka

l fefr dk uke	vkn's k dæd@ fuek'k l c'kh fu; e	dk; l	l nL;	drD; , oa nkf; Ro	fjekdZ
1	2	3	4	5	6
fTyk bdkbz	1801@ 26-6-97	fTys ea xBr fofHkUu l fefr dh l eh{k	1 yxk; r 16 Js kh	1- fTyk ij; kstuk dh Lohdfr , oa vu'knu 2- fTys ea ; kstuk ds v'lxr l pkyr fofHkUu dk; b'ka dh ixfr dh l eh{k 3- dk; b'ka l pkyu ea vku okys d'fBukbz ka dk fujkdj . k	
fTyk fu; fDr l fefr	1998	fTyk o [k.M Lrj ij fDr inka dh i'frZ djuk	1 yxk; r 9 rd	fjDr inka ij i'frfu; fDr v'fok l fonk ij Hkriz grq vH; f'fz ka dk p; u djuk 2- fofHkUu Lrj ij ij fjDr inka dk vkadyu dj inka dh i'fr l 'fuf' pr djuk 3- de'p'fj; ka grq fu/kkZjr l ok 'kriz dk ikyu l 'fuf' pr djuk	
fTyk dz l fefr	1998	fe'ku fu; eku' dj l kexh dz i fdz k dk fu/kkZj . k	1 yxk; r 10 rd	1- l kexh dz grq fufonk, a vkef=r dj fufonkvka dks Okb'uy dj dz kn's k i'fr djuk 2- l kexh dz grq fu/kkZjr i fdz k dk ikyu l 'fuf' pr djuk 3- MkbV] ch-vkj-l h-] l h-vkj-l h- , oa 'kkyvka ea l kexh dz dh i fdz k , oa fu; eka dk ikyu l 'fuf' pr djukA	
fTyk fuek'k l fefr	1998	l eLr fuek'k dk; k' dh xfrfof/k; ka dk fdz k'lo; u	1 yxk; r 8 rd	1- fuek'k dk; k' grq foLr' fn' k'fun'k , oa i fdz k fu/kkZjr djuk 2- fTyk] [k.M o xke fuek'k l fefr dk vu'p'h{k . k 3- fufonk, a vkef=r dj fufonkvka dk Okb'uy djuk	

fcUnq dæd&8

dk; kÿ; ds vlrXr vkus okyh I febr ds I nL; ka dh tkudkj h

dz	I febr dk uke	I nL; dk uke@i nuke	fjekdZ	; kX; nk
1	2	3	4	5
	ftyk bdkbZ	i nL ftyk bdkbZ ds v'kkl dh; I nL; ka dk dk; Zky i wZ gks pdk gS uohu ftyk bdkbZ ds xBu dh ifdz k tkjh gA		
	1	ftyk i pk; r ds v/; {k	v/; {k	
	2	dyDVj i nu ftyk fe'ku I pkyd	mi k/; {k	
	3	ed; dk; i kyv vf/kdkjh ftyk i pk; r	I nL;	
	4	I gk; d vk; Pr@ftyk I a kst d] vuq tkfr] tutkfr] fi NMkoxZ dY; k. k foHkx	I nL;	
	5	mi I pkyd f' k{k}k@ftyk f' k{k}k vf/kdkjh	I nL;	
	6	i kpk; i MkbV	I nL;	
	7	ftyk efgyk , oa cky fodkl vf/kdkjh	I nL;	
	8	ftyk I k{k}rk I febr ds nks I nL; ¼; fn gka r kX	I nL;	
	9	nks {ks=h; fo/kk; d	ukekfidr I nL;	
	10	ftyk i pk; r v/; {k }kjk eukahr nks tuin v/; {k	ukekfidr I nL;	
	11	ftyk i pk; r v/; {k }kjk eukahr nks I jip	ukekfidr I nL;	
	12	ftyk i pk; r dh f'k{k}k I d/kr LFkbbZ I febr ds I Hkh I nL;	ukekfidr I nL;	
	13	fuEu Jf.k; ka ds 7 i fruf/k ftlga vi us {ks= dea fd; s x; s dk; Z ds vk/kkj ij f'k{k}k fe'ku }kjk eukahr fd; k tk, xkA 1- L=h f'k{k}k vkSj fodkl ds {ks= ea dk; j r efgyk, j 2- f'k{k}kfon- Lo; a I dh I LFk, j I kekf t d dk; Zrk] I kfgR; dkj ¼buea I s de I s de , d efgyk vkSj , d&, d I nL; vuq fipr tkfr] vuq fipr tutkfr] fi NMkoxZ vkSj vYi I d; dka ea I s gksxk ¼ 3- ftys dk , d jk"V"fr i#Ldr f'k{k}d ¼; fn mi yc/k gkX	ukekfidr I nL;	
	14	ftyk i pk; r v/; {k }kjk fodkl [k.M bdkb; ka ds v/; {ka ea I s eukahr , d 0; fDr	ukekfidr I nL;	
	15	fe'ku dh fu; ekoyh ds fu; e 8 ea I oxZ 15 vkSj 17 ea of. kr f'k{k}k fe'ku dh I k/kkj . k I Hkh ds vf/kdre 2 I nL;	ukekfidr I nL;	
	16	ftyk ifj; kstuk I ello; d	I nL; I fpo	

2	ftyk fu; fDr l febr	1	dyDVj@inu ftyk fe'ku l pkyd	v/; {k	
		2	v/; {k} ftyk ipk; r	l nL;	
		3	ftyk ipk; r dh f'k{k LFkkbz l febr ds v/; {k	l nL;	
		4	ed; dk; i kyu vf/kdkjh@inu ftyk ifj; kstuk l pkyd	l nL;	
		5	ftyk f'k{k vf/kdkjh	l nL;	
		6	Jh de#nahu dg's kh] jkT; Lrjh; v'kk- l nL;	l nL;	
		7	Jh Nhrjey l kuh] ½j k"V fr i#Ldkj i klr] l ok fuor f'k{k d½ ½ftyk Lrjh; v'kk- l nL; ½	l nL;	
		8	ftyk ifj; kstuk l ello; d	l nL; l fpo	
3	ftyk dz l febr	1	v/; {k} ftyk ipk; r	v/; {k	
		2	dyDVj@inu ftyk fe'ku l pkyd	l nL;	
		3	ftyk ipk; r dh f'k{k LFkkbz l febr ds v/; {k	l nL;	
		4	ed; dk; i kyu vf/kdkjh@inu ftyk ifj; kstuk l pkyd	l nL;	
		5	ftyk f'k{k vf/kdkjh	l nL;	
		6	Jh de#nahu dg's kh] jkT; Lrjh; v'kk- l nL;	l nL;	
		7	Jh Jhiky fi jksth] ½j k"V fr i#Ldkj i klr] l ok fuor f'k{k d½ ½ftyk Lrjh; v'kk- l nL; ½	l nL;	
		8	ftyk ifj; kstuk l ello; d	l nL; l fpo	
4	ftyk fuekzk l febr	1	dyDVj@inus ftyk fe'ku l pkyd	v/; {k	
		2	ed; dk; i kyu vf/kdkjh@inu ftyk ifj; kstuk l pkyd	l nL; l fpo	
		3	dk; i kyu ; a-h] ykd fuekzk foHkkx	l nL;	
		4	dk; i kyu ; a-h] xkeh.k ; kf=dh l ok	l nL;	
		5	dk; i kyu ; a-h] ty l a k/ku foHkkx	l nL;	
		6	Jh de#nahu dg's kh] ½jkT; Lrjh; v'kk l dh; l nL; ½	l nL;	
		7	Jh t'ckjcdl dg's kh] ½ftyk Lrjh; v'kk l dh; l nL; ½	l nL;	
		8	ftyk ifj; kstuk l ello; d	l nL;	

fclnq dækd&9

dk; kÿ; ea dk; j r l elr vf/kdkfj ; ka , oa deþkfj ; ka dh tkudkj h

dz	uke vf/kdkjh@deþkj h	i nuke	i rk	l Ei dz uEcj
1	2	3	4	5
1	Jh v'kkd dækj f=i kBh	Mh-i h-l h-	egkohj i j k e j S uk	94251-18565
2	Jh , l -, l -Hknk f j ; k	bzi h-vks3	esyk xkm. M e j S uk	98273-96427
3	Jh , -ds dny J S B	mi ; æ-h	jkeuxj e j S uk	98262-48316
4	Jh dsih- tkVo	ys[kki ky	mRrei g k e j S uk	&
5	Jh ds, l - rkej	l gk-xM&3	gkmfl æ ckMz dkn/ksuh e j S uk	231141
6	Jh , l -vkj -c?ky	l gk-f' k{kd	321fl) uxj dkn/ksuh e j S uk	230523
7	Jh jkti ky fl g ; kno	fyfi d	bLykei g k e j S uk	i hi h 222227
8	Jh 'ksylnz nps	fyfi d	x. ks ki g k e j S uk	
9	Jh inhi frokj h	MkVk , BVh vkW j s j	egkohj i j k e j S uk	94254-56509
10	Jh jkeohj fl g ; kno	okgu pkyd	dS ko dkn/ksuh e j S uk	&
11	Jherh dhfrz oekz	HkR;	gkmfl æ ckMz dkn/ksuh e j S uk	&
12	Jherh uhye pksku	HkR;	xki ky i g k e j S uk	i hi h 255224
13	Jh #Lre fl g xqt j	HkR;	ds, l -fey ds i hNs e j S uk	&
14	Jherh foVh ckbz	HkR;	l hkk" kuxj e j S uk	&
15	erhe [kka	HkR;	x. ks ki g k e j S uk	&
16	Jh t'kolr fl g	HkR;	x. ks ki g k e j S uk	&
17	Jh veryky iztki fr	HkR;	ou [k. Mh j km+ e j S uk	&
18	Jh xksh 'kadj 'kekz	pkshnkj	&	&
19	Jh fot;	Lohi j vdkdkyhu	l hkk" k uxj e j S uk	&

fclnq dæka&10

dk; kÿ; ea dk; j r l eLr vf/kdkfj; ka , oa deþkfj; ka dks nh tkus okyh l fo/kkvka dh tkudkj h

dz	uke vf/kdkjh@deþkj h	i nuke	oru	l fo/kk, a
1	2	3	4	5
1	Jh v'kkd deþkj f=i kBh	Mh-i-h-l-h-	6500&10500	dk; kÿ; hu dk; l grq okgu
2	Jh , l -, l -Hknkfj; k	bzi h-vks3	6500&10500	&
3	Jh , -ds dÿJŠB	mi ; æ-h	6500&10500	&
4	Jh dsih- tkVo	ys[kki ky	3050&4590	&
5	Jh ds, l - rkej	l gk-xM&3	4000&6000	&
6	Jh , l -vkj-c?ksy	l gk-f' k{kd	5000&8000	&
7	Jh jktiky fl g ; kno	fyfi d	4362-00	&
8	Jh 'ksybnz nps	fyfi d	4362-00	&
9	Jh inhi frokj h	MkVk , ðVh vKw jšj	2516-00	&
10	Jh jkeohjfl g ; kno	okgu pkyd	4362-00	&
11	Jherh dhfrl oekz	HkR;	2308-00	&
12	Jherh uhye pksku	HkR;	2308-00	&
13	Jh #Lre fl g xqt j	HkR;	2308-00	&
14	Jherh foVvh ckbz	HkR;	2500&3200	&
15	erhe [kka	HkR;	3647-00	&
16	Jh t'kolr fl g	HkR;	3647-00	&
17	Jh veryky iztki fr	HkR;	3647-00	&
18	Jh xkšh 'kdj 'kekz	pkšdhkj	4362-00	&
19	Jh fot;	Lohi j vdkdkyhu	dyðVj nj dk vk/kk	&

fclnq dæka&11

okf"kd iklr ctV , oa ml ds 0; ; dh tkudkj h

dz	ctV gM	dk; l dk uke	o"kl	iklr ctV	0; ; foøj.k
1	2	3	4	5	6
1	l oZ f' k{kk vfHk; ku	jkT; f' k{kk dšnz ds funž kkuð kj	2005&06	51702000	jkT; f' k{kk dšnz ds funž kkuð kj
2	, u-i h-bž th-bž, y-	&^&	2005&06	14654800	&^&
3	i žkkueæ-h xkekn; ; kst uk	&^&	2005&06	&	&^&
4	11 ok foRr	&^&	2005&06	&	&^&
5	Kku ; kst uk	&^&	2005&06	500000	&^&
6	dst h-ch-0gh-	&^&	2005&06	600000	&^&

fclnq dæ&12

f'tyk f'k{kk dlnz vlrzr l pkyr fofHku dEi ks.ubV o mul sykkflorka dh p; u dh ifdz k

dz	; kstuk dk uke	p; u dh ifdz k
1	fu% ky d i rd forj .k	1- d{kk 1 l s 5 rd 'kkl dh; i kFkfed Lrj dh l eLr 'kkykvka ea v/; ; ujr l eLr oxkz ds ckyd , oa ckfydk, a
		2- d{kk 6 l s 8 rd 'kkl dh; ek/; fed Lrj dh 'kkl dh; 'kkykvka ea v/; ; ujr l Hkh oxkz dh ckfydk, vu@tkfr] vu@tutkfr ds ckyd , oa vU; fi NMkoxl rFkk l keU; oxl ds xjhch dh js[kk ds uhps ds ifjokjka ds ckyd
		3- iatidr enj l ka ea v/; ; ujr d{kk 1 l s 8 rd ds l eLr ckyd ckfydk, A
2	fu% ky d x. kos k	d{kk 1 l s 8 rd dh i kFkfed , oa ek/; fed Lrj dh l Hkh 'kkl dh; 'kkykvka ea v/; ; ujr l Hkh oxkz dh ckfydk, A

fclnq dæka&13

f'tyk f'k{k k dlnz vlrzr l pkyr fofHku dEi ksdV o mul s ykHkflorka dh l pph

dz	l fo/kk dh i zfr	uke	irk	o"kl	i dkj	l fo/kk dh vuq dher
1	i Bu i kBu l kexh	1- d{k k 1 l s 5 rd 'kkl dh; i kFfed Lrj dh l elr 'kkykvka ea v/; ; ujr l elr oxkz ds ckyd , oa ckydk, a 2- d{k k 6 l s 8 rd 'kkl dh; ek/; fed Lrj dh 'kkl dh; 'kkykvka ea v/; ; ujr l Hkh oxkz dh ckydk, [vu@tkfr] vu@tutkfr ds ckyd , oa vU; fi NMkoxZ rFkk l keku; oxZ ds xjhch dh js[kk ds uhps ds i fjokj ka ds ckyd 3- i at h d r enj l ks ds d{k k 1 l s 8 rd ds l elr ckyd] ckydk, a		2005&06	d{k kokj l S/ i R; d ds fy; s d{k k 1&5 rd 226667 d{k k 1&8 rd 56004 enj l ka ds d{k k 1 l s 8 rd 5092	i l rd ka dh fu/kk fjr dher ij 15 i fr' kr deh' ku de dj ds 1&5 rd #- 9000854 6&8 rd #- 4432622 enj l k grq #- 207604
2	Ldny M	d{k k 1 l s 8 rd dh i kFfed , oa ek/; fed Lrj dh l Hkh 'kkl dh; 'kkykvka ea v/; ; ujr l Hkh oxkz dh ckydk, a		2005&06	ckfydkvka ds uki ds fgl kc l s 135520 ckfydk, a	90-00 i fr ckfydk ds eku l s #0- 12196800

fclnq dæka&14

dk; kzy; ea mi yC/k tkudkfj; ka dh l pph Js kh ml dh i zfr

dz	d/s xjh	gkMz dkw h	byDVksud OkkZ
1	2	3	4
1	l oZ f' k{k v fHk; ku	gkW	ugha
2	, u-i h-bZ t h-bZ, y-	gkW	ugha
3	i zkkuea-h xkekn; ; kst uk	gkW	ugha
4	11 ok foRr	gkW	ugha
5	Kku ; kst uk	gkW	ugha
6	dst h-ch-0gh-	gkW	ugha

fclnq d&15

vke ukxfjdka dks l p uk mi yC/k dj kus grq mi yC/k l fo/kk, a

dz	l fo/kk	i Hkkjh dk uke	[kyus , oa cln gkus dk l e;	l Ei dz uEcj nj Hkk" k uEcj
1	2	3	4	5
	fujd	Jh , l -, l - HknkSj ; k	nki gj 3&5 ctsrd	227650

fclnq d&16

ykd l p uk vf/kdkjh l sl af/kr tkudkjh

uke	i nuke	VsyhOku uEcj	bz esy irk	dk; kz dk LFkku o irk	turk ds l Ei dz ds fy; sl e;
Jh l Hkkthr ; kno	ef; dk; i kyu vf/kdkjh] ftyk i pk; r] ej suk	222500	&	ftyk i pk; r ej suk	

l gk; d ykd l p uk vf/kdkjh l sl af/kr tkudkjh

uke	i nuke	VsyhOku uEcj	bz esy irk	dk; kz dk LFkku o irk	turk ds l Ei dz ds fy; sl e;
Jh , -ds f=i kBh	ftyk i fj; kst uk l ello; d	227650 1/2 94251-18656	&	ftyk f' k{kk dlnz ej suk	nki gj 3 l s 5 ctsrd

fclnq d&17

fujd

